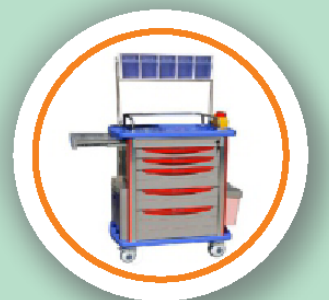




**Hospital Furniture  
Rehabilitation Items**

**Medical Equipment  
Surgical Equipment**







### Five Functions Electric Medical Care Bed

Code : **TMS-501**

Description :

- Size: 2120 x 1000 x 460-720mm(LxWxH).
- Function of Back rest, footrest ,HiLa adjustment, forward tilting, backward tilting with cable remote control
- Epoxy power coated bed frame , mounted on central locking luxury castors. Bed Board link of soft, PP hindig side rails.



### ICU BED Hi- Lo Hydraulic

(ABS Panels & Side Railing)

Code : **TMS-502**

Description :

- Frame work made of Rectangular M.S. Tube
- 4 Section Top Made pf Perforated M.S. Sheet
- Back Rest Knee Rest & TB/RTB Position maneuvered by Seprate screw form Foot End.
- Height adjustment with Hydraulic foot pump.
- ABS moulded head and foot panels.
- Collapsible Aluminum saftey Side Railing.
- SS IV Rod with four Locaions
- Bed Mounted on 150mm Dia Castor (2 with Brakes)
- Overall size: 2060L x 90W x 60-80H cms
- Finish: Epoxy Powder Coated





### Five Functions Electric Medical Care Bed

Code : **TMS-503**

Description :

- Size: 2120 x 1000 x 460-720mm(LxWxH).
- Function of Back rest, footrest ,HiLa adjustment, forward tilting, backward tilting with cable remote control
- Epoxy power coated bed frame , mounted on central locking luxury castors. Bed Board link of soft, PP hinding side rails.



### ICU BED Hi- Lo Hydraulic

(ABS Panels & Side Railing)

Code : **TMS-504**

Description :

- Frame work made of Rectangular M.S. Tube
- 4 Section Top Made pf Perforated M.S. Sheet
- Back Rest Knee Rest & TB/RTB Position maneuvered by Seprate screw form Foot End.
- Height adjustment with Hydraulic foot pump.
- ABS moulded head and foot panels.
- Collapsible Aluminum saftey Side Railing.
- SS IV Rod with four Locaions
- Bed Mounted on 150mm Dia Castor (2 with Brakes)
- Overall size: 2060L x 90W x 60-80H cms
- Finish: Epoxy Powder Coated





**ICU BED Hi-10 Mechanical**

(ABS Panels & Side Railings)

Code : **TMS-505**

Description :

- Frame work made of Rectangular M.S. Tube
- 4 Section Top made of perforated M.S. Sheet
- Back Rest, Knee Rest & TB/RTB and Hi-Lo Positions maneuvered by seprate screw from Foot End.
- ABS moulded head and foot Panels
- Collapsible Aluminum Safety side Railings.
- SS IV Rod with four Locations
- Bed Mounted on 150mm Dia Castor (2 with Brakes)
- Overall size: 210L x 90W x 60-80H cms
- Finish: Epoxy Powder Coated



**ICU BED Hi-10 Mechanicals**

(Sunmica Panels & Side Railings)

Code : **TMS-506**

Description :

- Frame work made of Rectangular M.S. Tube
- 4 Section Top made of perforated M.S. Sheet
- Back Rest, Knee Rest & TB/RTB and Hi-Lo Positions maneuvered by seprate screw from Foot End.
- Stainless Steel Tubular head and foot bows with laminated Panels
- Collapsible Aluminum Safety side Railings.
- SS IV Rod with four Locations
- Bed Mounted on 150mm Dia Castor (2 with Brakes)
- Overall size: 210L x 90W x 60-80H cms
- Finish: Epoxy Powder Coated





**ICU BED Mechanical**

(ABS Panels & Side Railings)

Code : **TMS-507**

Description :

- Frame work made of Rectangular M.S. Tube
- 4 Section Top made of perforated M.S. Sheet
- Back Rest, Knee Rest & TB/RTB Positions maneuvered by seprate screw from Foot End.
- ABS head And Foot Panels.
- Collapsible Aluminum Safety side Railings.
- SS IV Rod with four Locations
- Bed Mounted on 150mm Dia Castor (2 with Brakes)
- Overall size: 210L x 90W x 60H cms
- Finish: Epoxy Powder Coated
- Optional : Four Sectional Mattress



**ICU BED Mechanical**

(Sunmica Panels & Side Railings)

Code : **TMS-508**

Description :

- Frame work made of Rectangular M.S. Tube
- 4 Section Top made of perforated M.S. Sheet
- Back Rest, Knee Rest & TB/RTB Positions maneuvered by seprate screw from Foot End.
- Stainless Steel Tubular head and foot bows with laminations Panels
- Collapsible Aluminum Safety side Railings.
- SS IV Rod with four Locations
- Bed Mounted on 150mm Dia Castor (2 with Brakes)
- Overall size: 2060L x 90W x 60-80H cms
- Finish: Epoxy Powder Coated





**ICU BED Hi-10 Mechanical**

(ABS Panels & Side Railings)

Code : **TMS-509**

Description :

- Frame work made of Rectangular M.S. Tube
- 4 Section Top made of perforated M.S. Sheet
- Back Rest, Knee Rest & TB/RTB and Hi-Lo Positions maneuvered by seprate screw from Foot End.
- ABS moulded head and foot Panels
- Collapsible Aluminum Safety side Railings.
- SS IV Rod with four Locations
- Bed Mounted on 150mm Dia Castor (2 with Brakes)
- Overall size: 210L x 90W x 60-80H cms
- Finish: Epoxy Powder Coated



**ICU BED Hi-10 Mechanicals**

(Sunmica Panels & Side Railings)

Code : **TMS-510**

Description :

- Frame work made of Rectangular M.S. Tube
- 4 Section Top made of perforated M.S. Sheet
- Back Rest, Knee Rest & TB/RTB and Hi-Lo Positions maneuvered by seprate screw from Foot End.
- Stainless Steel Tubular head and foot bows with laminated Panels
- Collapsible Aluminum Safety side Railings.
- SS IV Rod with four Locations
- Bed Mounted on 150mm Dia Castor (2 with Brakes)
- Overall size: 210L x 90W x 60-80H cms
- Finish: Epoxy Powder Coated



## Hospital Beds

### Hospital Fowler Bed

(Sunmica Panels)

Code : **TMS-511**

Description :

- Frame work made of Rectangular M.S. Tube
- 4 Section Top made of perforated M.S. Sheet
- Back Rest, Knee Rest Positions maneuvered by Separate screw from Foot End.
- Stainless Steel tubular head and foot bows with laminated Panels
- Stainless Steel IV Rod with four Locations.
- Bed Mounted on 100mm Dia Castor (2 with Brakes)
- Overall size: 206L x 90W x 60H cms.
- Finish: Epoxy Powder Coated



### Hospital Fowler Bed

(SemiDeluxe)

Code : **TMS-512**

Description :

- Frame work made of Rectangular M.S. Tube
- 4 Section Top made of perforated M.S. Sheet with matters guards.
- Back Rest, Knee Rest Positions maneuvered by Separate screw from Foot End.
- Tubular head and foot bows of unequal weight with vertical bar supports
- Four IV Rod Locations.
- Bed Mounted on 100mm Dia Castor - (2 with Brakes)
- Overall size: 206L x 90W x 60H cms.
- Finish: Epoxy Powder Coated



### Hospital Semi Fowler Bed Electric

(ABS Panels & Safety Side Railings)

Code : **TMS-513**

Description :

- Frame work made of Rectangular M.S. Tube
- 2 Section Top made of perforated M.S. Sheet
- Back Rest, Section, maneuvered by Cable Remote Control
- ABS moulded Head & Foot Panels.
- Collapsible Aluminum Safety Side Railing.
- Stainless Steel IV Rod with Four Locations.
- Overall Size 198L x 90W x 60H cms
- Finish: Epoxy Powder Coated .
- Optional : Two Sectional Mattress 4" thick PU foam





**Hospital Semi Fowler Bed  
(ABS Panels)**

**Code : TMS-514**

**Description :**

- Frame work made of Rectangular M.S. Tube
- 2 Section Top made of perforated M.S. Sheet
- Back Rest, Section maneuvered by Screw Handlr from foot End
- ABS moulded, Head & Foot Panels.
- Four Locations for I.V. Rod.
- Overall size: 198L x 90W x 60H cms.
- Finish: Epoxy Powder Coated



**Hospital Semi fowler Bed  
(Sunmica Panels)**

**Code : TMS-515**

**Description :**

- Frame work made of Rectangular M.S. Tube
- 2 Section Top made of perforated M.S. Sheet.
- Back Rest Section, maneuveredby Screw Handle From Foot End.
- Stainless Steel tubular Head & Foot bows with laminated Panels.
- Four Location for I.V. Rod .
- Overall size: 198L x 90W x 60H cms.
- Finish: Epoxy Powder Coated



**Hospital Semi fowler Bed**

**(Semi deluxe)**

**Code : TMS-516**

**Description :**

- Frame work made of Rectangular M.S. Tube
- 2 Section Top made of perforated CRCA M.S. Sheet.
- Back Rest Section, maneuveredby Screw Handle From Foot End.
- Tubular Head & Foot Bows of unequal height with vertical bars support.
- Location for Four I.V. Rod
- Overall size: 198L x 90W x 60H cms.
- Finish: Epoxy Powder Coated





## Hospital Beds

### Hospital Semi Fowler Bed (Wire Mesh Platform)

Code : **TMS-516**

Description :

- Frame work made of Rectangular M.S. Tube
- 2 Section Top made of welded wire mesh.
- Back Rest, Section maneuvered by Screw Handlr from foot End
- Tubular Head & Foot Bows of unequal height
- Location for Four I.V. Rod.
- Overall size: 198L x 90W x 60H cms.
- Finish: Epoxy Powder Coated



### Hospital Plain Bed Delux (ABS Panels)

Code : **TMS-517**

Description :

- Frame work made of Rectangular
- Top made of perforated CRCA MS sheet.
- ABS moulded Head & Foot Panels
- Location for Four I.V. Rod.
- Overall size: 198L x 90W x 60H cms.
- Finish: Epoxy Powder Coated



### Hospital Plain Bed Delux (Sunmica Panels)

Code : **TMS-518**

Description :

- Frame work made of Rectangular
- Top made of perforated CRCA MS sheet.
- Stainless Steel tubular Head & Foot bows with laminated Panels.
- Location for Four I.V. Rod.
- Overall size: 198L x 90W x 60H cms.
- Finish: Epoxy Powder Coated



### Hospital Plain Bed Semi Delux

Code : **TMS-519**

Description :

- Frame work made of Rectangular M.S. Tube
- Top made of perforated CRCA MS sheet.
- Tubular Head & Foot Bows of unequal height.
- Location for Four I.V. Rod.
- Overall size: 198L x 90W x 60H cms.
- Finish: Epoxy Powder Coated





## Hospital Beds

### Hospital Plain Bed (Wire Mesh Platform)

Code : **TMS-520**

Description :

- Frame work made of Rectangular M.S. Tube
- Top made of welded wire mesh.
- Tubular Head & Foot Bows of unequal height
- Location for Four I.V. Rod.
- Overall size: 198L x 90W x 60H cms.
- Finish: Epoxy Powder Coated



### Pediatric Bed

Code : **TMS-521**

Description :

- Main Frame of rectangular pipe
- Perforated CRCA Sheet top.
- Tubular Head & Foot Bows of equal height with vertical tube supports.
- Drop down type safety side railings.
- Overall size: 198L x 90W x 60H cms.
- Finish: Epoxy Powder Coated



### Attendant Bed

Code : **TMS-522**

Description :

- Frame work made of rectangular M.S. Tube.
- Fitted with Perforated CRCA Sheet top.
- Stainless Steel tubular Head & Foot bows.
- Legs fitted with PVC stumps.
- Overall size: 198L x 90W x 60H cms.
- Finish: Epoxy Powder Coated



### Baby Cradle on Stand

Code : **TMS-523**

Description :

- Frame made of MS tubular
- Legs with rubber stumps.
- Detachable Baby cradle.
- Epoxy Powder Coated



### Baby Cradle Imported

Code : **TMS-524**

Description :

- Dimension : 870x520x780-980mm
- Hi-Low 780-980mm
- Head upward angle : 0-12 degree
- Height Adjustable by Gas Spring
- Easy for move & baby to communicate
- Aluminium Column
- Transparent and Hi-Intensity baby basin
- PP cart Basis
- Four Silent Wheels with cross brakes, dia 100 mm
- Colour Available : Green, Blue & Pink





## Accessories for Hospital Beds

### Balken Frame For Hospital Bed

Code : **TMS-525**

Description :

- Made of MS Tubular
- Can be Fitted to any Hospital Bed
- Epoxy Powder coated.

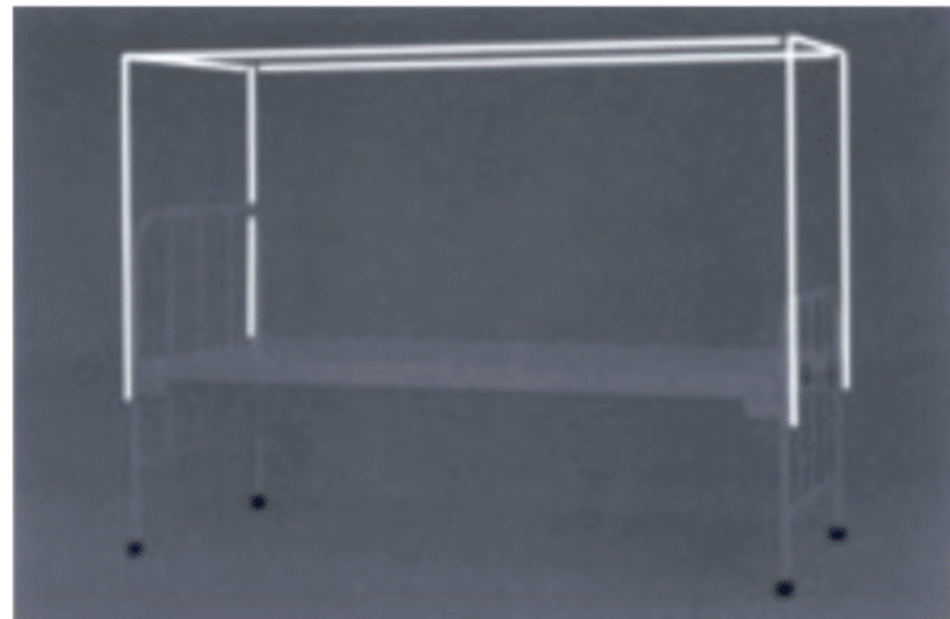


### Mosquito Net Poles

Code : **TMS-526**

Description :

- Made of MS Tubular steel
- Epoxy Powder coated.

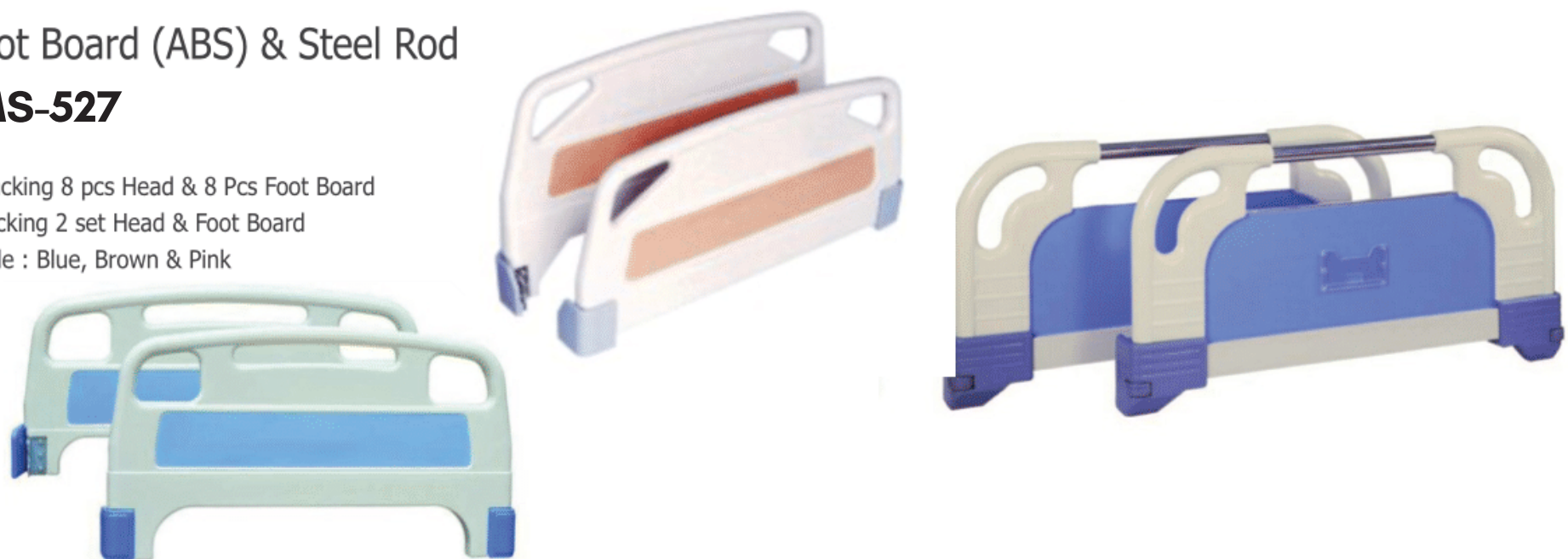


### Head & Foot Board (ABS) & Steel Rod

Code : **TMS-527**

Description :

- ABS Panel : Packing 8 pcs Head & 8 Pcs Foot Board
- Steel Rod : Packing 2 set Head & Foot Board
- Colour Available : Blue, Brown & Pink



### COLLAPSIBLE SAFETY SIDE RAILING (Pair)

Code : **TMS-528**

Description :

- Size : 1500 mm 6 bar
- Aluminium & SS Bar (Blue, Grey & Brown)





## Accessories For Hospital Beds



Duck Type Safety Side Railing  
Code : **TMS-529**



Luxury Castors  
Code : **TMS-531**

### ABS Clipboard (Case Sheet Holder)

Code : **TMS-530**

Description :

- Dimension 340 x 230 mm
- ABS Plastic Material
- Colour Available : Blue, Grey & Pink



### Case History Trolley (50 Shelves)

Code : **TMS-532**

Description :

- Dimension : 390x710x910mm
- ABS Plastic Material, Double Rows, 50 layers
- Noiseless Castors
- 2 Drawer with Lock



### Case History Trolley (25 Shelves)

Code : **TMS-533**

Description :

- Dimension : 390x390x880mm
- ABS Plastic Material, Single Rows, 25 layers
- Noiseless Castors
- 1 Drawer with Lock



Bed Handle & Screw (Imported/Indian)  
Code : **TMS-534**

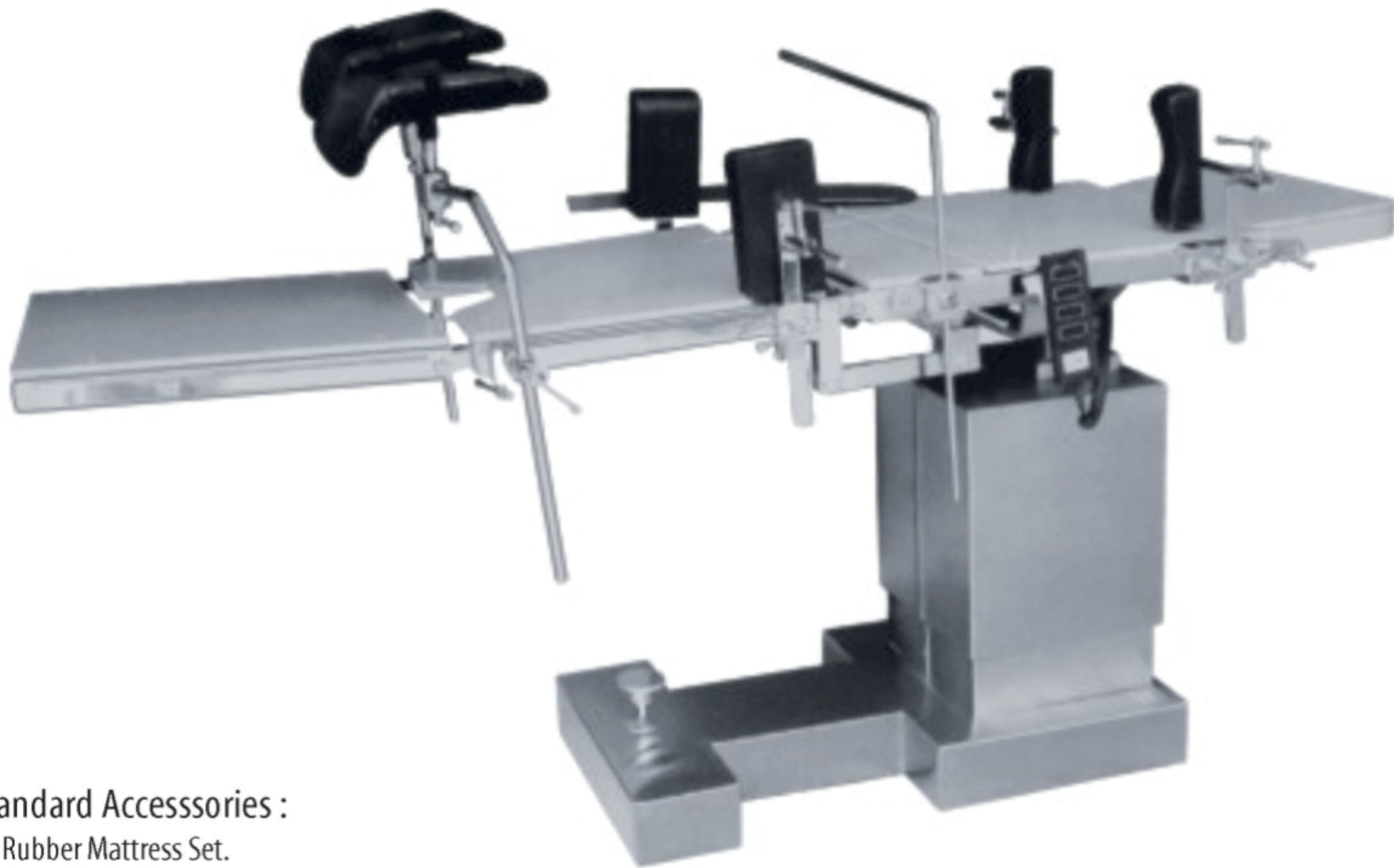


## O.T. Tables & Delivery Tables

### O.T. Table Motorised C-Arm Compatible

Code : **TMS-535**

- Modern design Electric operation Table Radio Translucent Top for use of C-Arm Image Intensifier such as general surgery and Certain special surgical procedure etc.
- Electric Position table column and inter changeable head & leg section for maximum use of C-Arm Image Intensifier.
- Smooth and accurate positioning by Remote Control for Hi-Lo, Trendlenbueg / Reverse trendlenburg, Lateral Tilt & Head Side Raising/ Lowering.
- Base and column are covered with stainless steel sheet.



#### Standard Accessories :

- Rubber Mattress Set.
- Anaesthetist Screen
- Padded Shoulder Support.
- Wrist Strap
- Arm Rest
- Padded Lateral Support.
- Padded Lithotomy Crutches

#### Optional Accessories :

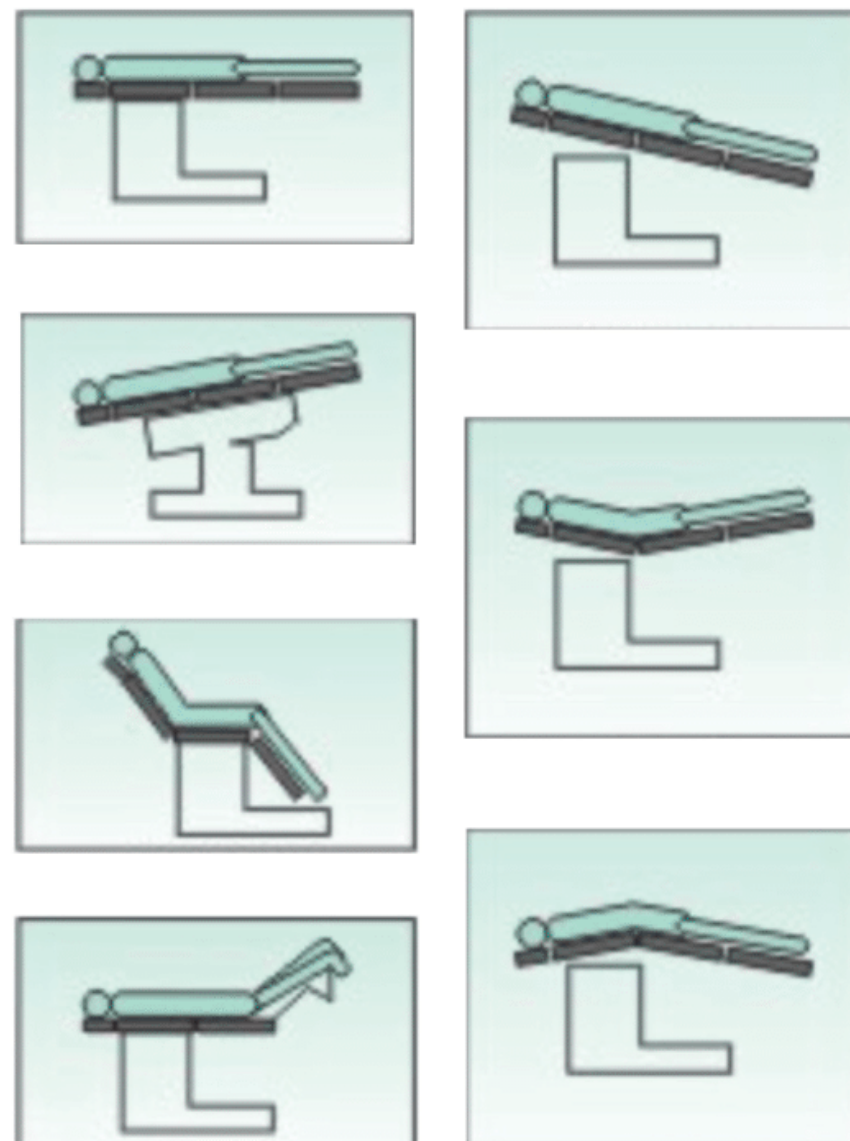
- Universal Orthopaedic Attachment.
- S.S. Instrument Tray with Hanger
- S.S. Urology Tray
- Neuro Surgery Attachment
- Arm Surgery Attachment

#### Technical Data :

- Overall Length : 192 cm
- Width Over Side Railing : 57 cm
- Height : 30" min. 40" Max.
- Lift : 10"

#### Positions :

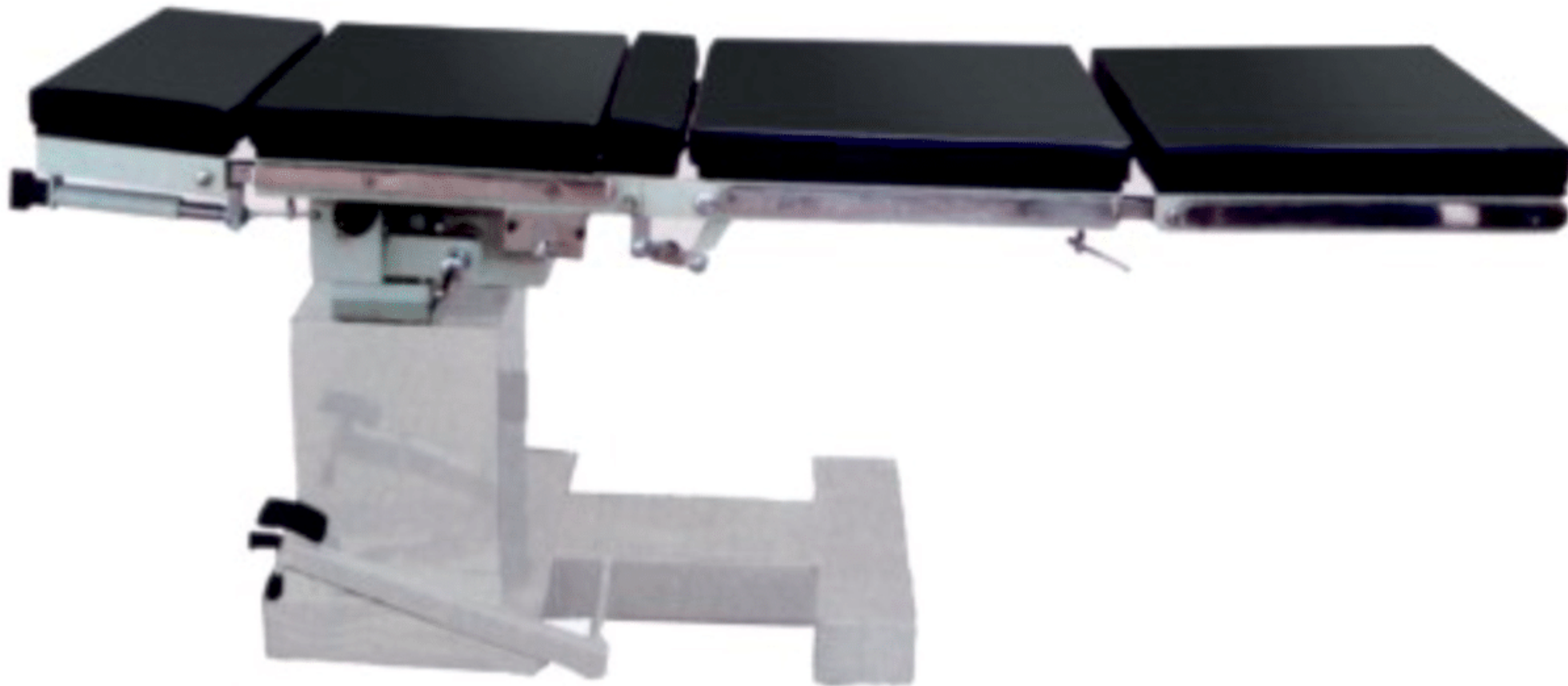
- Trendlenburg & Revrese : 25°
- Trendlenburg
- Lateral Tilt : Both Side 22°
- Head Section Detachable : 90° Up
- Leg Section : 90° Down (Manual)
- Flex / Reflex : 30° / 220°





O.T. Table Hydraulic C-Arm Compatible with Ortho Attachment

Code : **TMS-536**



**Technical Data**

- Overall Length of table Top : 1950 mm
- Overall width of Table Top : 500 mm
- Up-down Movement : 770-1020 mm
- Kidney Section up : 150 mm
- Trendelenburg Position : 25°
- Trendelenburg & Reverse Position : 25°
- Lateral Tilt : 20° (both sides)
- Flex /Reflex Position : 30°/220°
- Leg Section : 90° down manual

**Salient Features**

- Four Sectional radiolucent top.
- Eccentrically positioned top for maximum access for movement of C-Arm image intensifier.
- Base and cover made of heavy & hygienic stainless steel sheet.
- Mobile on smooth running castors and floor locking system for stability.
- Leg section and head section are interchangeable.



**Orthopaedic Attachment's Features**

- Specially designed for intra operative x-rays image intensifier
- Removable pelvis rest and x-ray translucent pelvis stem.
- Stirring instruments allows flexion/raising of legs and stirring ball joints locked from foot-end
- Padded orthopaedic knee crutches provide support to the legs of the patient
- Two Traction devices on sliding spot with ball joint allowing flexion and rotations of foot, with traction shoes with metallic sole.



## O.T. Tables & Delivery Tables

### O.T. Table Hydraulic Code : **TMS-537**

#### SALIENT FEATURES

A Single Action Hydraulic pump Controlled by a Foot pedal. Fully S.S. covered base mounted on Heavy duty Castors with auto floor locking system. The Detachable leg section provides easy lithotomy Positioning.

Five Section S.S. Top with large perineal cutout for drainage tray. built in Kidney bridge. The Improved Hydraulic System Speed of lowering the table is permanently set.

The table is finished with extra hard, permanent Fish. Ovan baked paint and all the accessories are Stainless Steel



#### Standard Accessories :

- Anaesthetic frame
- Padded side supports
- Intravenous Armboard
- Padded Shoulder Supports
- Lithotomy Leg holder with strap
- Footrest with S.S. Top



#### Optional Accessories :

- Water proof Rubber Mattress
- Radio-graphic Top
- Neurosurgical Attachment
- Geopel type Lithotomy Crutches with straps
- Orthopaedic attachment



#### Technical Data :

- Length of the table top : 120 to 195 cms
- Width of the table top : 50 cms
- Minimum height : 90+5 cms
- Hydraulic Lift : 95 + 5 cms
- Lateral Tilt : 22 cms
- Lateral Tilt : 20+2 cms
- Longitudinal Tilt : 30+1 cms





### Operation Table (Hi-Lo)

Code : **TMS-538**

#### Description:

- M.S. Tubular Frame work on 10 cms casters
- Height adjustment by crank mechanism with lever handle
- Five section SS tops
- All positions viz, "straight", trendleburg & reverse trendleburg positions, Kidney bridge, lithotomy position.
- Overall size 72" x 20" x 32"
- Fine Finished



### Operation Table Improved model (Fixed Height)

Code :

#### Description:

- M.S. Tubular Frame work on 10 cms casters
- S.S. tops in five sections
- All position viz, "Straight", trendlenburg & reverse trendlenburg positions, lithotomy position.
- Overall Size: 72" x20" x32"
- Finr finished.
- Optional : Mattress for above.



### Labour Table Improved Model

Code :

#### Description:

- Approx. Dimensions :72"L x 27"W x 30"H.
- Tubular frame work mounted on PVC stumps .
- Stainless steel top in three sections. U- cut at foot end.
- Trendlenburg positions adjustable on screw mechanism by handle.
- Backrest section adjustable on ratchet system.
- A pair of Lithotomy Rods with straps with height adjustable.
- Complete with self locking traction handle at side & I.V. Rod.
- Fine Finished.





## O.T. Tables & Delivery Tables

### Labour/ Delivery Tables Telescopic

(Fixed Height)

Code : **TMS-539**

Description:

- Approx. Dimensions :72"L x 27"W x 30"H.
- Tubular frame work mounted on PVC stumps
- Stainless steel top in three sections.
- Trendlenburg positions adjustable by mechanical gear system with lever handle.
- Backrest section adjustable on ratchet.
- Leg end section can slide under the main section
- A pair of SS Lithotomy Rods with straps with height adjustable.
- With Stainless Steel Sink/ Bowl
- Fine Finished.



### Labour Delivery Tables Telescoping(Fixed Height)

All Stainless Steel

Code : **TMS-540**

Description:

- Approx. Dimensions :72"L x 27"W x 30"H.
- SS Tubular framework mounted on PVC stumps
- Stainless steel top in three sections.
- Trendlenburg positions adjustable by MS mechanical gear system.
- Backrest section adjustable on ratchet.
- Leg and section can slide under the main section
- A pair of knee crutches with height adjustable.
- Finish : Fine polished



### Obstetric Delivery Tables Telescopic

(Adjustable Height) Hydraulic

Code : **TMS-541**

Description:

- Approx. Dimensions :72"L x 27"W x 24"-32"H.
- Tubular frame work mounted on swiveling castors
- Stainless steel top in three sections.
- trendlenburg positions adjustable by pneumatic gas spring system.
- Hydraulically height adjustable by foot paddle from side.
- Backrest section adjustable on ratchet.
- Leg end section can slide under the main section
- A pair of knee crutches with height adjustable.
- Epoxy Powder coated.





**Delivery Bed (Telescopic)**

Code : **TMS-542**

**Description:**

- Approx. Size - Body section - 1000L x 800W x 750Hmm, Leg section 900L mm.
- Labour and Delivery Bed made in 2 section. body section with legs mounted on rubber stumps.
- Leg section with swivel castors with brakes.
- Leg section can be completely recessed under the body section supports for legs holders with solid mechanism to fix leg holders at required height & width.
- Filled mattress- pad and cover mattress pad in 2 section.
- Supplied with 2 knee crutches adjustable in height & width
- Knockdown construction
- Epoxy powder coated.



**Obstetric Delivery Bed**  
In 2 Parts (2 Section top)

Code : **TMS-543**

**Description:**

- Approx. Dimension: 72"L x 30"W x 30"H
- M.S. Tubular frame work made in two section.
- Body section with legs mounted on rubber stumps.
- Leg section with swivel castors with brakes.
- Two section cushioned top.
- Height adjustable a pair of Lithotomy rods with straps
- Epoxy powder coated.



**Orthopaedic Table (Watson . Jones)**

Code : **TMS-544**

**Description:**

- M.S. Tubular frame mounted on rubber stumps.
- Stainless Steel top.





## Examination Tables & Ward Equipments



### Examination Couch

Code : **TMS-545**

#### Description:

- Overall Approx size: 187L x 51W x 81H.
- Adjustable backrest by gas spring system.
- Two sectional upholstered top.
- Provided with three Drawers and three Cabinets.
- Tray for B.P. Apparatus provided near headrest.
- Epoxy powder Coated



### Examination Table Plain

Code : **TMS-546**

#### Description:

- Size 72"x20"x30" (LxWxH).
- M.S. Top in 2 Sections. Head rest adjustable
- MS tubular legs with rubber stumps.
- Epoxy Powder coated.



### Gynae Examination Table

Code : **TMS-547**

#### Description:

- Size 72"x24"x30" (LxWxH).
- M.S. Top in 2 sections. Head rest adjustable
- Perineal -U-cut at foot end with lithotomy rods & straps
- M.S. Tubular Legs with rubber Stumps .
- Epoxy Powder coated.



## Over Bed Tables



**Over Bed Table**  
(Adjustable by Pneumatic Gas Spring)  
Code : **TMS-548**  
Description:

- Rectangular frame work mounted on 5cms castors
- 30"x 18"laminated /Membrane Pressed top adjustable by Pneumatic gas spring.
- Finish : Pre-treated and Epoxy Powder Coated.



**Over Bed Table Mayo's type**  
(Adjustable height with GearHandle)  
Code : **TMS-549**  
Description:

- M.S. Rectangular frame work mounted on 5 cms castors.
- 30" x 16" Laminated top adjustable by gear handle.
- Epoxy Powder Coated



**Over Bed Table Mayo's Type S.S.**  
(Adjustable height with Gear Handle)  
Code : **TMS-550**  
Description:

- S.S. Rectangular frame work mounted on 5 cms castors.
- 30" x 16" Laminated top adjustable by gear handle.

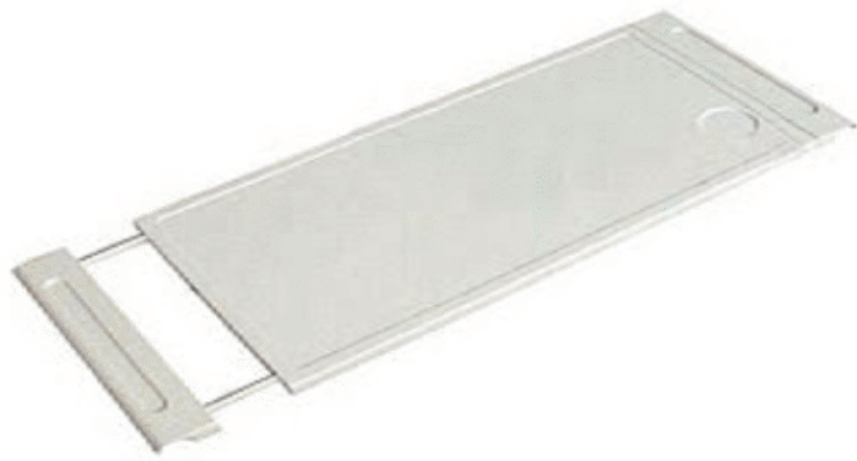
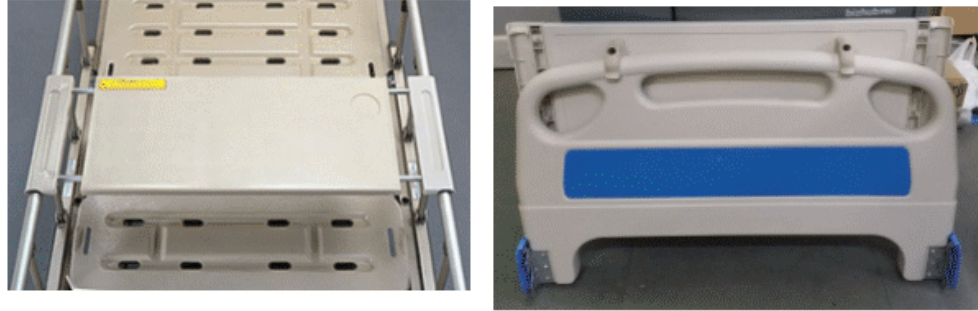


**Over Bed Table**  
(Manual)  
Code : **TMS-551**  
Description:

- Rectangular frame work mounted on 5cms castors
- 30" x 16" laminated top adjustable by side knob.
- Epoxy Powder Coated.  
Also available in All Stainless Steel



## Bed Side Lockers



ABS Table (Adjustable in Alm. Railing)

Code : **TMS-552**

Description :

- Tray made of ABS : 35x73 cm
- Adjustable width : 83 x 100 cm
- Fixation on side rails with safety system. Also hang on ABS Panel



Shoe Rack locker also available

Bed Side Locker (ABS)

Code : **TMS-553**

Description:

- 480x480x760/800mm (LxWxH)
- Made of ABS Plastic, Light , stainless, no aging
- Built in towel shelf and one oddment rack.



Bed Side Locker (Stainless Steel)

Code : **TMS-554**

Description:

- Size 16" x14"x30" (LxWxH)
- S.S. Square Pipe frame with SS cup -board & SS Top. Legs with rubber stumps.



Bed Side LockerDeluxe

Code : **TMS-555**

Description:

- Overall Size :16"L x16"Wx32"H.
- CRCA sheet constructions. Having one Box and one drawer
- S.S. Top with three Sides raise edges
- Epoxy Powder coated





**Bed Side Locker**  
Code : **TMS-556**  
Description:

- Overall Sizes: 16"L x 14"W x 30"H
- M.S. Tubular frame with MS cup-board
- Stainless steel top.
- Epoxy Powder Coated



**Instrument Trolley All S.S**  
Code : **TMS-557**  
Description:

- Overall Sizes: 60L x 45W x 80H cms
- SS Tubular construction with SS top & shelf.
- Mounted on 100mm dia, Castors.
- Three side guard railing on upper shelf  
(Also available in Knock down)



**Instrument Trolley**  
Code : **TMS-558**  
Description:

- Overall sizes 60Lx45Wx80H cms.
- M.S. Tubular construction with SS top & shelf.
- Mounted on 50mm dia. Castors.
- Three side guard railing on Upper shelf.
- Epoxy Powder coated.



**Instrument Trolley**  
(Knock down construction)  
Code : **TMS-559**  
Description:

- Overall size 60Lx45Wx80H cms.
- M.S. Tubular construction with SS top & Shelf.
- Mounted on 50mm dia. Castors.
- Three side guard railing on upper shelf.
- Epoxy Powder coated.



## Hospital Furniture



Dressing Trolley All S.S.  
Code : **TMS-560**

**Description:**

- Overall Sizes: 76L x45W x81H cms
- Stainless Steel tubular construction.
- Stainless Steel top & shelf.
- Four side guard railing on both shelves.
- Mounted on 100mm dia. Castors.
- With Stainless steel bucket basin & push handle.



Dressing Trolley  
Code : **TMS-561**

**Description:**

- Overall Sizes: 76L x45W x81H cms
- M.S. Tubular construction.
- Stainless Steel top & shelf.
- Four side guard railing on both shelves.
- Mounted on 100mm dia. castors.
- With Stainless steel bucket ,basin & push handl.
- Epoxy Powdercoated.



Mayo's Trolley All S.S.  
Code : **TMS-562**

**Description:**

- Overall Sizes: 76L x46W x81H cms
- Tray size S.S. : Approx : 56L x 40W cms.
- Frame work S.S. Rectangular tubes mounted on 5 cms castors, height , adjustable by side knob.



Mayo's trolley  
Code : **TMS-563**

**Description:**

- Overall Sizes : 76L x46W x81H cms.
- Stainless Steel Tray of size aprox. 56L x 40W cms
- Frame made of Rectangular tubes mounted on 5 cms castors , height adjustable by side knob.
- Epoxy Powder Coated finish.



**Medicine Trolley with Four Drawers**  
Code : **TMS-564**

**Description:**

- Size 28"x18"x32" (LxWxH)
- M.S. Tubular frame mounted on 10cms di.Castors.
- Stainless Steel top & shelf
- Two Drawers under each shelf
- Three Side guard rail on both shelves.
- Epoxy Powder coated.



**Emergency & Recovery Trolley**  
Code : **TMS-565**

**Description:**

- Two sectiona Radiolucent top
- Height adjusted by foot operated hydraulic pump form 660mm to 860 mm
- Gas spring assisted forward tilting & Backward tilting position.
- Complete with corner buffers, synthetic rubber covered handles, sliding X-ray cassette, accessories tray, oxygen cylinder holder SS telescopic IV rod and swing away SS side rails
- Mounted on 15cms dia, (two with brakes)
- X-ray Permeable removable stretcher, backrest raised on ratchet
- Overall approx size : 210L x 65W x 65-95H
- Epoxy powder coated



**Transfer Trolley System**  
Code : **TMS-566**


**Description:**

- MS tubular frame mounted on four swivel castors, 15cms dia.
- The under carriages can be interlocked lengthwise and the stretcher rolled over from one carriage to another on rollers.
- Stretcher can be raised at one end on ratchet SS IV rod with two locations.
- Gas cylinder provision in one under-carriage
- Epoxy powder coated.





## Stretcher Trolley



**Stretcher Trolley All S.S.**  
Code : **TMS-567**  
Description:

- Overall Sizes: 213 x56W x81H cms(LXWXH)
- Stainless Steel tubular construction with SS removable stretcher.
- Mounted on 150mm dia. Castors (Two with break)
- Both side IV attachmen with with one SS I.V.Double Hook Rod



**Stretcher Trolley DELUX**  
Code : **TMS-568**  
Description:

- Overall Sizes: 213L x56W x81H cms (LxWxH)
- M.S. Tubular construction with MS removable stretcher.
- Mounted on 150mm dia. Castors (Two with brakes)
- Both side IV attachment with one SS I.V. Double Hook Rod
- Epoxy powder coated



**Stretcher Trolley**  
Code : **TMS-569**  
Description:

- Overall Sizes: 213x56x81 cms (LxWxH)
- M.S. Tubular construction with MS removable stretcher
- Mounted on 100mm dia. Castors (two with brakes)
- Epoxy Powder coated





**Crash Cart Trolley Stainless Steel**

Code : **TMS-571**

**Description:**

- Overall approx size: 940L x 490W x 1535H mm
- Stainless Steel tubular frame.
- Six removable plastic bins and two polystyrene lockable storage units with three drawers each.
- Four swivel castors , 150mm dia . (Two with brakes.)
- Complete with corner buffers, powder coated oxygen cylinder holder, S.S.IV rod , S.S. Top & shelves, caediac massage board and electric lamp

**Crash Cart Trolley**

Code : **TMS-570**

**Description:**

- Overall approx sizes: 940L x490W x1535H mm
- M.S. tubular frame.
- Six removable plastic bins and two polystyrene lockable storage units with three drawers each.
- Four swivel castors, 150 mm dia .(Two with brakes.)
- Complete with corner buffers, oxygen cylinder holder, S.S. IV rod , S.S. top & shelves, cardiac massage board and electric lamp
- Epoxy Powder Coated.





## Hospital Furniture



**Attendant Chair cum Bed**  
Code : **TMS-572**

**Description:**

- Overall approx size : 1880mmL x 500mmW x 400mH.
- M.S. tubular frame work mounted on PVC Stumps
- Epoxy Powder Coated.



**Blood Transfusion Chair**  
Code : **TMS-573**

**Description :**

- Dimension : 890 x 600 x 300 mm
- Net Wt. 26 kg
- Made of MS Powder Coated with Back Adjustable



**I.V. Stand Stainless Steel**  
Code : **TMS-574**

**Description:**

- Stainless Steel Tubular construction
- SS Rectangular tube base with 50mm dia. Castors.
- SS double hook IV rod. Adjustable height spring loaded.



**I.V. Stand Stainless Steel**  
Code : **TMS-575**

**Description:**

- Stainless Steel Tubular construction.
- Five legs plastic/polymer base with 50mm dia. Castors.
- SS double hook IV rod. Adjustable height spring loaded



**I.V. Stand**  
Code : **TMS-576**

**Description:**

- M.S. Tubular construction.
- Five legs Plastic/polymer base with 50mm dia. Castors.
- SS double hook IV rod. Adjustable height spring loaded.
- Epoxy Powder coated





Revolving Stool Stainless Steel

Code : **TMS-577**

Description:

- Four Legs Stainless Steel Tubular constructions
- SS foot rest ring
- SS revolving top adjustable height with MS screw mechanism.



Revolving Stool DELUX

Code : **TMS-578**

Description:

- Four Legs M.S. Tubular construction.
- MS foot rest ring
- SS revolving top adjustable height with MS screw mechanism.
- Epoxy Powder coated



Revolving Stool

Code : **TMS-579**

Description:

- Three Legs M.S. Tubular construction.
- SS revolving top adjustable height with MS screw mechanism.
- Epoxy Powder coated



Visitor Stool

Code : **TMS-580**

Description:

- M.S. Tubular frame with MS top.
- Overall size 12"x12"x20"(LxWxH)
- Legs with rubber stumps
- Epoxy Powder coated.



Wash Basin Stand Double

Code : **TMS-581**

Description:

- M.S. Tubular construction.
- Mounted on 5 legs plastic/polymer base with 50mm dia. Castors
- Two Stainless Steel Basins of approx 35cms dia. Each
- Epoxy Powder coated

ALSO AVAILABLE IN S.S.CONSTRUCTION



Wash Basin Stand Single

Code : **TMS-582**

Description:

- M.S. Tubular construction.
- Mounted on 5 legs plastic/polymer base with 50mm dia. Castors
- Stainless Steel Basin of approx 35cms dia.
- Epoxy Powder coated

ALSO AVAILABLE IN S.S. CONSTRUCTION



## Hospital Furniture



**Linen Trolley**  
Code : **TMS-583**  
Description:

- MS tubular construction.
- Mounted on 10cms dia. Castors.
- With removable canvas bag
- Epoxy Powder coated.



ALSO AVAILABLE IN .  
STAINLESS STEEL FRAME



**Dust Bin**  
Code : **TMS-584**

Available in SS & ABS Plastic  
Colour Available in ABS



**Bed Side Screen**  
Code : **TMS-586**  
Description:

- Overall size 66"x96"
- 3 or 4 folds
- MS Tubular construction.
- Legs with 50mm dia. castors
- With spring wire for curtain cloth
- Epoxy Powder coated.

**Kick Bucket**  
Code : **TMS-585**  
Description:

- M.S. Tubular construction.
- Mounted on 10cms dia. Castors.
- Stainless Steel Basin

ALSO AVAILABLE IN ALL  
STAINLESS STEEL CONSTRUCTION



**Foot Step SINGLE**  
Code : **TMS-587**  
Description:

- M.S. Tubular construction.
- MS top with superimposed rubber matting
- Legs with rubber stumps
- Epoxy Powder coated







Foot Step DOUBLE  
Code : **TMS-588**

Description:

- M.S.Tubular construction.
- MS tops with superimposed rubber matting
- Legs with rubber stumps
- Epoxy powder coated.



Bed Side Screen  
Code : **TMS-589**

Description:

- M.S. tubular construction.
- M.S. Base.
- 10cms dia. Rubber wheels (2nos)
- Epoxy powdercoated.



Waiting Chair  
Code : **TMS-590**

Description:

- M.S. Chrome Plated



Instrument Cabinet  
Code : **TMS-591**

Description:

- Size 58"Hx24"Wx14" depth.
- All M.S. sheet construction.
- Four removable glass shelves.
- Door with Glass & Lockable Handle.
- Epoxy powder coated.



### Emergency Trolley

Code :TMS Emergency Trolley

Description :

- Available in 750mm & 850 mm dimension
- ABS Plastic Top Board with arc handle & raised-edge design
- The Whole Guard Rail. Plastic - Steel Columns
- Centralized lock, 2 small, 2 middle & 1 Big drawers
- Label Card for the drawer. Four luxurious noiseless castors (Two with Brake)
- Defibrillator shelf, Sliding side shelf, New Utility container
- IV Pole, Needle disposable holder, dust basket.
- Back Side : Oxygen Tank Holder, CPR Board, Power Extension & Hooks
- Multiple accessories available including hanging basket, dustbin, file boxes, display platform
- Dimension : a) 750 x 530 x 930 mm    b) 850 x 520 x 960 mm



Also Available with Crash Cart Boxes

### Mayo Trolley

Code :TMS Mayo Trolley

Description :

- Stainless steel tray, size single : 56 x 40 cm
- Stainless steel tray, size double : 75 x 60 cm
- Height Adjustable Gear Handle
- SS Frame, SS Gear Handle
- 4 castor 100 mm dia
- SS Tray detachable.
- Knock down construction



### Monitor Trolley

Code :TMS Monitor Trolley

- Overall approx. size: 800mm L x 600mm W x 1408mm H.
- Suitable for keeping monitor, light source, camera unit, VCR, printer, stabilizer etc.
- Five M.S. shelves  
Other four shelves with SS rails which can be adjusted at desire height in between top shelf and drawer.
- MS drawer at bottom
- M.S. base fitted with four swivel castors, 125 mm dia.; two with brake
- The trolley is provided with a socket to receive 5/15 Amp - 230 V A/C 3-pin plugs. Two inputs each with safety fuse and switch, one exclusive for one output and other with 6 output connections. Each output has "power ON/OFF" switch
- Trolley has two S.S. handles, S.S. IV rod and gas cylinder cage
- Cylinder cage in the rear
- Finish : Pre-treated & epoxy powder coated



### ECG Trolley

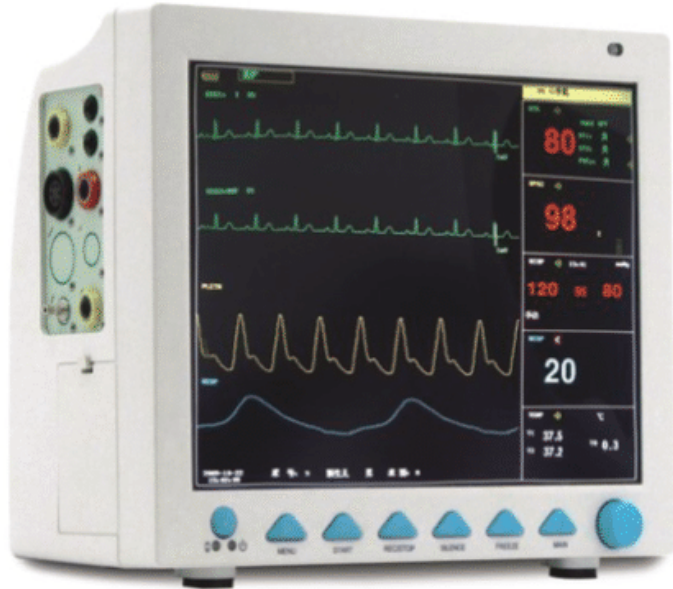
Code :TMS ECG Trolley

Description :

- 515 L x 595 W x 1180 H mm
- Mild Steel tubular framework
- Top SS Shelf
- Approx Dimension : 480 x 530 mm
- Other Two MS Shelf 485 x 430 mm
- Rubber Paded SS Handle.
- Castor : 100 mm (Two with brake & two without brake)
- Pre Treted & Powder Coated Finish







### Five Function Patient Monitor (CMS 8000)

Code :TMSFive Para Monitor

Description :

- Spo2 , NIBP , Pulse Rate, Respiration, ECG & Temp
- Suitable for Neonatal,Adult,Pediatric,Infant
- 500 NIBP measurement data can be storage and recall
- Power Source : Electricity - Voltage : 220V
- Pixel Pitch : 800x480
- Resulation : High Resulation
- Screen Size : 12 inch
- Display Type : LCD
- Accuracy: ± 2 digit (70 – 100% ); 0-69% unspecified
- Measurement range: 0-100%



### Three Function Patient Monitor (CMS 5100)

Code :TMSThree Para Monitor

Description :

- Table Top Pulse Oximeter with NIBP
- 2.8" Height brightness TFT LCD display
- High brightness LED display of NIBP, SpO2 and pulse rate
- Up to 2000 groups NIBP data storage and SpO2 data upto 48 hours
- Built-in rechargeable Li-Polymer
- Dimension (LxWxH): 190x160x244 mm
- Display Type : LCD. Audio volume adjustable
- Accuracy: ± 2 digit (70 – 100% ); 0-69% unspecified
- Measurement range: 0-100%
- Economical



### Syringe Pump

Code :TMS-Syringe Pump

Description :

- Dimension :- 278x145mmx106mm(WxDxH)
- Weight:- 1.5kg
- Power Supply:-100V-240V.50/60Hz
- Power Onsumption:- <55va
- Maximum Flow Rates:- 1800(ml/h)
- Working Temperature : 5 Degree C to 40 Degree C
- Syringe Size : 2 ml, 5ml , 10ml, 20ml, 30ml and 50ml
- Battery Type : Lithium ion Battery
- Accuracy: ± 2%
- Pressure Sensing : Max 100kPa + / - 20kPa, Min. 50kPa + / - 20kPa



### Infusion Pump

Code :TMS-Infusion pump

Description :

- Infusion rate: 0.1 ml/h-1200 ml/h(1ml/h step)
- Rate Accuracy: Within +5% (after correct calibration)
- Purge Rate: 100 ml/h-1200 ml/h(can be calibrated)
- Volume Limit: 0 ml-9999 ml

Infusion pumps may be capable of delivering fluids in large or small amounts , and may used to deliver nutrients or medications-such as insulin or other hormones, antibiotics and pain relievers. Some and pain relievers.

Some infusion pumps are designed mainly for stationary use at apatient's bedside.



### Monitor Stand

Code : **TMS-592**

Description :

- Tilt: 15° up and 40° down (display) & 20° up and 60° down (arm)
- VESA Mount Roll adjustment: +/- 15 degrees.
- Material: Aluminum alloy and plastic cover.
- Mounting Option: Wall Mount Type.
- Pivot: 180° 370° 370° (wall" arm" display)
- Extension: 1866.5mm.
- Display Compatibility: VESA 75/100mm.



### Surgical Cautery 400 Watts Matrix

Code : **TMS-593**

Description:

- Input Voltage : 187-270V/AC Current fuse6 Amps.
- Output control : All Digital and push switch control in All modes.
- Safety Features : Unit construction : According ICE6061-2-2\*60601-1
- Protection class -I, Unit type-CF, Output All floating output
- Current leakage : High Frequency -<150  $\mu$ Amp in all output low Frequency -<10  $\mu$ Amp.
- PPFM SYSTEM : PPFM pad 5-125 ohms.
- Non-PPFM pad : NOt,10 ohms.
- Weight : 6.5 Kgs.
- Dimension : 390x130x340(LxWxH) mm



### Surgical Cautery 250 Watts

Code : **TMS-594**

Description:

- Input Voltage : 187-270V/AC Current fuse5 Amps.
- Output control : Analogue Power control with LED indicator of different modes and push switch selector of power modes.
- Safety Features: Unit constructor According. IEC - 60601-2-2\*60601-1
- Protection class-I, Unit type-CF, Output- All floating output.
- Current leakage : High Frequency -<150  $\mu$ Amp. In all Output Low Frequency -< 10  $\mu$ Amp.
- PPFM SYSTEM : PPFM pad Cond. - not<10 ohms. Auto Level- Variable audio tones.
- Weight - 4.5Kgs.
- DIM: 295x120x285(LxWxH) mm







Photo Therapy Unit (Single Surface)

Code : **TMS-595**

Description:

- Fitted with 2 Blue & 4 white fluorescent tubes. (2 feet)
- with baby cradle.
- Mounted on castors.



Photo Therapy Unit (Double Surface)

Code : **TMS-596**

Description:

- Fitted with 2 Blue & 4 white fluorescent tubes. (2 feet) in upper & lower surface
- with baby cradle.
- Mounted on castors.

Radiant Warmer

Code : **TMS-597**

Description:

- Skin/Air/Manual(LCD)
- 1" Bright FND, Skin Temp. Display.
- 1" Bright FND, Air Temp. Display.
- LED Bar heater output % Display.
- Set Temp. Display on FND/LCD by mode selection
- All modes Display on LCD.
- Timer Display on LCD.

Auto Mode

- All Safety Alarms, Visual display on LCD.

Skin Mode

- Skin Temp. High (>0.5°C of setTemp.)
- Skin Temp. Low (<0.5°C of setTemp.)
- Skin Temp. over range (>38°C)
- Skin Temp. under range (<34°C)
- Skin Sensor fail alarm.
- Air Mode / Safety Alarm & High Temp. cut off/ Power failure Alarm.

Technical Data:

- Input Voltage 220V/AC±10% 50Hz.
- Light Source 50Watts Bulb to examine Baby.







**Oxygen Concentrator (7 F-5)**

Code : **TMS-598**

**Description:**

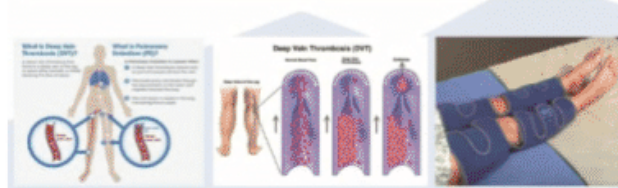
- Oxygen concentration :  $\geq 90\%$
- Oxygen flow : 1~5L/min
- Output pressure : 30~70KPa
- Overrunning pressure alarm
- Noise :  $\leq 60\text{dB (A)}$ .
- Power supply : AC 220 $\pm$ 22V, 50 $\pm$ Hz
- Input power :  $\leq 600\text{VA}$



► This device assists in providing patients adequate blood circulation in their lower extremities through gentle, yet powerful compression to aid in the prevention of painful blood clots, known as deep vein thrombosis (DVT). The system consists of a pump and a pair of soft compression sleeves that wrap around the calf, calf-thigh, or foot on each leg or foot.

► **Parameter**

Range of press: 40-180mmHg	Input voltage: AC220V/50HZ	Power consumption: 40W
Interval time: 1-30s	Pressure hold time: 1-30s	Working time: No stop
Application: calf, thigh, foot		



**DVT Pump**

Code : **TMS-599**



**Fogger Machine**

Code : **TMS-600**

**Description :**

- L x H x Dia : 33 x 41 x 23.5 cm
- Discharge Rate 300 ml/min, adjustable
- Particle Size : 7-30  $\mu$ , adjustable.  
Liquid viscosity and density can affect particle size.
- Range : Visible fog, 20-30 ft [7.5 m]
- Net Wt. 5 Kg (SS 304)
- Motor : 20000 rpm, 1 HP Motor
- Chemicals : Can atomize both oil-based and water-based liquids.
- Output Rate : upto 300ml per minute
- Liquid Capacity : 5 Ltrs.



**Syringe Cutter & Needle Destroyer**

Code : **TMS-601**

**Description:**

- It Can destroy needle and Syringe (2ml to 10ml Capacity)
- Powder Supply 220V + 10%  
50Hz AC



**Invalid Walker Foldable**

Code : **TMS-602**



**Aerosol O.T. Disinfector**

Code : **TMS-603**

**Description:**

- Made of S.S.
- Capacity 5 Ltr.



## Suction Machines



### SUCTION MACHINE

Code : **TMS-604**

#### Description:

- M.S. Cabinet Epoxy Powder coated with SS top.
- Fitted with & 1/4 H.P. Electric motor with Oil Immersed Vacuum pump.
- 2x1500ml Glass Graduated suction jars with Rubber Lids.
- Vacuum gauge, Vacuum control valve, Overflow cut off device.
- Power Indicator & Patient Suction Tubing.
- Mounted on 2x100mm Rubber Wheels.



### SUCTION MACHINE S.S.

Code : **TMS-605**

#### Description:

- Stainless steel Cabinet.
- Fitted with 1/4 H.P. Electric motor Oil Immersed Vacuum pump
- 2x1500ml Glass Graduated Suction Jars with Rubber Lids.
- Vacuum gauge, Vacuum control valve, Overflow cut off device
- Power Indicator & Patient Suction Tubing
- Mounted on 2x100mm Rubber Wheels.



### SUCTION MACHINE FOOT CUM ELECTRIC

Code : **TMS-606**

#### Description:

- M.S. Cabinet Epoxy Powder coated with SS top.
- Fitted with 1/4 H.P. Electric motor with Oil Immersed Vacuum pump.
- Vertical Heavy duty Foot Pump in Built.
- 2x1500ml Glass Graduated Suction Jars with Rubber Lids.
- Two Separate Vacuum pump Vacuum control valve, Overflow cut off device.
- Power Indicator & Patient Suction Tubing.
- Mounted on four Castors.



### SUCTION MACHINE HIGH VACUUM

Code : **TMS-607**

#### Description:

- M.S. Cabinet Epoxy Powder coated with SS top
  - Fitted with 1/2 H.P. Electric motor with Oil Immersed Vacuum pump.
  - 2x2000ml Glass Graduated Suction Jars with Rubber Lids.
  - Vacuum gauge, Vacuum control valve, Overflow cut off device.
  - Power Indicator & Patient Suction Tubing.
  - Mounted on Four Castors.
- (ALSO AVAILABLE WITH 2X2000ML POLYCARBONATE JARS)



## Suction Machines



**SUCTION MACHINE HIGH VACAUM S.S.**

Code : **TMS-608**

**Description:**

- Stainless Steel Cabinet with SS tray
- Fitted with 1/2 H.P. Electric motor with Oil Immersed Vacuum pump.
- 2x2000ml Polycarbonate Graduated Suction Jars with Rubber Lids.
- Vacuum gauge, Vacuum control valve, Overflow cut off device.
- Power Indicator & Patient Suction Tubing.
- Mounted on Four Castors.



**SUCTION MACHINE SUPER HIGH VACAUM S.S.**

Code : **TMS-609**

**Description:**

- Stainless Steel Cabinet with SS tray
- Fitted with 1 H.P. Electric motor with Oil Immersed Vacuum pump.
- 2x2000ml Polycarbonate Graduated Suction Jars with Rubber Lids.
- Vacuum gauge, Vacuum control valve, Overflow cut off device.
- Power Indicator & Patient Suction Tubing.
- Mounted on Four Castors.
- With Foot switch



**SUCTION MACHINE TYPE-1**

Code : **TMS-610**

**Description:**

- M.S. Cabinet Epoxy Powder coated with SS tray
- Fitted with 1/4 H.P. Electric motor with Oil Immersed Vacuum pump.
- 2x2000ml Glass Graduated Suction Jars with Rubber Lids.
- Vacuum gauge, Vacuum control valve, Overflow cut off devie.
- Power Indicator & Patient Suction Tubing.
- Mounted on Four Castors.

ALSO AVAILABLE WITH 2X2000ML POLYCARBONATE JARS



**SUCTION MACHINE TYPE-1 HIGH VACUUM**

Code : **TMS-611**

**Description:**

- M.S. Cabinet Epoxy Powder coated with SS tray
- Fitted with 1/2 H.P. Electric motor with Oil Immersed Vacuum pump.
- 2x2000ml Glass Graduated Suction Jars with Rubber Lids.
- Vacuum gauge, Vacuum control valve, Overflow cut off devie.
- Power Indicator & Patient Suction Tubing.
- Mounted on Four Castors.

ALSO AVAILABLE WITH 2X2000ML POLYCARBONATE JARS



## Suction Machines



### FOOT SUCTION APPARATUS Code : **TMS-612**

#### Description:

- M.S Epoxy Powder coated or S.S. Base on rubber stumps.
- Horizontal heavy duty Vacuum pump foot operated.
- 2x750ml Glass Graduated Suction Jars with rubber lids
- Complete with vacuum gauge, suction tubing.



### FOOT SUCTION APPARATUS Code : **TMS-613**

#### Description:

- M.S Epoxy Powder coated Base on rubber stumps
  - Horizontal heavy duty Vacuum pump foot operated
  - 1x1500ml Glass Graduated Suction Jars with Rubber lid
  - Complete with vacuum gauge
  - suction tubing.
- Available with Three differnt Metal Suction Canuals.



### Penguin Suction Code : **TMS-614**

#### Description :

- Suction strength: Depending on hand size and technique, peak suction achieved may be in the range of 50 - 150 mmHg (70-200 cm H2O). Typically 100 mm Hg [136 cm H2O].
- Material: Silicone
- Size: 13.3 x 5.22 x 4.95 cm
- Weight: 0.058 kg
- Fluid capacity: 75 ml
- Does not contain latex



### SUCTION MACHINE - 7 A - 23 B Code : **TMS-615**

#### Description:

Power Supply : AC 220  $\pm$ 22V, 05 $\pm$  1HZ  
 Max negative Pressure : > 0.09 Mpa  
 Noise : < 60 dB (A)  
 Input Power : < 180VA  
 Flow Rate : > 20 L/ min  
 Jars Capacity :2500mL/pc, 2 Pieces



### SUCTION MACHINE - 7 A - 23 D Code : **TMS-616**

#### Description:

- Power Supply : AC 220  $\pm$ 22V, 05 $\pm$  1HZ
- Max negative Pressure : > 0.09 Mpa
- Noise : < 60 dB (A)
- Input Power : < 180VA
- Flow Rate : > 20 L/ min
- Jars Capacity :2500mL/pc, 2 Pieces



## Suction Machines



### SUCTION MACHINE

Code : **TMS-617**

Description:

- Voltage : AC 220±10%, 50Hz±2%
- Power: 90VA
- Max negative Pressure :>0.075 Mpa
- Noise : <65 db (A)
- Pumping Rate :> 15L/min
- Jars Capacity : 1000ml

Oil-Free Lubrication Pistion Pump



### SUCTION MACHINE

Code : **TMS-618**

Description:

- Voltage : AC 220±10%, 50Hz±2%
- Power: 90VA
- Max negative Pressure:>0.075Mpa
- Noise :< 65 dB (A)
- Pumping Rate : > 15L/ min
- Jars Capacity : 1000mL

Oil-Free Lubrication Pistion Pump



### SUCTION MACHINE -7 E - D (Universal) AC/DC

Code : **TMS-619**

Description:

- Voltage : AC 220±10%, 50Hz±2%
- Power: 90VA
- Max negative Pressure :>0.075 Mpa
- Noise : <65 db (A)
- Pumping Rate :> 15L/min
- Jars Capacity : 100ml

Oil-Free Lubrication Pistion Pump



### SUCTION HAND OPERATED -7 B - 1

Code : **TMS-620**

Description:

- Max Vacuum : > 0.04 MPa
- Max. Flow :> 20L/ min
- Suction Bottle Storage Capacity
- Weight: 192g

The hand suction unit is mainly used in different levels of hospital to absorb the phlegm, purulence, blood. With the advantage of small size, light weight, easy to carry and use, also no electricity powder needed, the unit is perfect for remote area, clinic in village, in home care, first aid in open country and operation without no electricity powder.



O.T. Lights

OT Light (Double Dome)

Code : **TMS-621**



Technical Data

Intensity	1,50,000 X 2 Lux
Spot Diameter	100 - 150 mm
Depth Illumination	10 - 15 cm
Colour Temp.	3800-5200 K
Colour Rendering Index	91 Ra
Focusing	Manual
LED Average Life	>50000 Hrs.
Number of LED	84 X 2
Diameter of Light	640mm X 2
Intensity Control	10* 100 Digital
Power Supply	220V/50Hz AC
Power	100 Watt X 2
Special Function	5 Memory Function

**Optional Remote**

OT Light (Single Dome)

Code : **TMS-622**



Technical Data

Intensity	1,50,000
Spot Diameter	100 - 150 mm
Depth Illumination	10 - 15 cm
Colour Temp.	3800-5200 K
Colour Rendering Index	91 Ra
Focusing	Manual
LED Average Life	>50000 Hrs.
Number of LED	84
Diameter of Light	640mm
Intensity Control	10* 100 Digital
Power Supply	220V/50Hz AC
Power	100 Watt
Special Function	5 Memory Function

**Optional Remote**

Examination Light  
Code : **TMS-623**



Light Intensity at 0.5 m ( LUX )	60,000 LUX
No. of Leds	7 nos
Dome Dia	9"
Colour Temp	4800° K
Light Field Diameter	100mm
Control on Dome	On / Off



## O.T. Lights

### O.T LIGHT CEILING HALOGEN TWIN MODEL (19"+19")

Code : **TMS-624**

Description:

- Main & Satellite dome 19" Single Reflector.
- Each fitted with a Special Halogen Bulb of 24V-150Watts
- One stand by Bulb fitted in each reflector.
- Complete with Low voltage Unit Auto cut.
- Movements: axial, Angular & Redial.



### O.T LIGHT CEILING HALOGEN

Code : **TMS-625**

Description:

- 20" Dome-7 Reflectors.
- Each fitted with a Special Halogen Bulb of 24V-70Watts
- With low voltage Unit auto cut
- Movements: Axial, Angular & Redial.



### O.T LIGHT CEILING HALOGEN

Code : **TMS-626**

Description:

- 20" Dome-4 Reflectors.
- Each Fitted withta Special Halogen Bulb of 12V-50Watts
- With low voltage Unit
- Movements: Axial, Angular & Redial.



### O.T LIGHT MOBILE HALOGEN

Code : **TMS-627**

Description:

- 20" Dome-4 Reflectors
- 220/230V AC
- Mounted on heavy base with castors





O.T. Lights



O.T LIGHT MOBILE HALOGEN  
Code : **TMS-628**  
Description:

- 19" Dome Single Reflector
- Fitted with a special Halogen Bulb of 24V-150 Wats.
- with One standby bulb
- Inbuilt low voltage unit
- Mounted on heavy base with castors



O.T LIGHT MOBILE HALOGEN  
Code : **TMS-629**  
Description:

- 20" dome -4 Reflectors
- Fitted with four special Halogen bulbs of 12V-50Watts
- With inbuilt low voltage transformer With regulator
- Mounted on heavy base with castors



O.T LIGHT MOBILE HALOGEN  
COUNTER WEIGHT BALANCE  
Code : **TMS-630**  
Description:

- 20" dome -4 Reflectors
- Fitted with special Halogen bulbs
- Wiith low voltage transformer.
- Mounted on heavy base with castors



O.T LIGHT  
MOBILE HALOGEN  
COUNTER WEIGHT BALANCE  
Code : **TMS-631**  
Description:

- 18" dome single Reflector
- Fitted with special Halogen bulb
- With low voltage transformer
- Mounted on heavy base with castors.



O.T LIGHT MOBILE  
Code : **TMS-632**  
Description:

- 12"/14" dome single Reflector
- Mounted on heavy base with castors
- 220/230V AC



## Invalid Wheel Chairs

### INVALID WHEEL CHAIR (101)

Code : **TMS-633**

Description:

- Steel Material Chrome Plated.
- Seat & Back Upholstery made of coated Leatherate.
- 8"x1" front wheel & 24" real MEG wheel.
- Fixed Arm rest & Aluminum Foot rest.
- Seat with 46 cms & Overall width 65 cms.



### INVALID WHEEL CHAIR (113)

Code : **TMS-634**

Description:

- Heavy Duty Steel Material Chrome Plated
- Seat & Back Upholstery made of colored Leatherate.
- 8"x1" Front wheel & 12"rear MEG wheel.
- Detachable Arm rest & foot rest.
- Seat width 41cms & overall width 60cms.



### INVALID WHEEL CHAIR (107)

Code : **TMS-635**

Description:

- Seat Material Epoxy Finished.
- Seat & Back Upholstery made of colored Leatherate
- 8"x1" Front wheel & rear wheel
- Foldable Aluminum foot rest.
- Seat width 43cms & overall wisth 62 cms.





**INVALID WHEEL CHAIR(ELECTRONIC)**

Code : **TMS-636**

Description :

- Heavy duty.
- Deep Back Handle.
- Front Wheel 8" & Rear Wheel 12".
- Seat width 46cms & overall width 62cms.
- Motors 168 V x 2
- Batteries 12 V x 2
- Can Run 20 Km in a radius at 0-6km/h



**INVALID WHEEL CHAIR**

Code : **TMS-637**

Description :

- Foldable Chromed Steel Frame.
- Detachable Arm Rest & Food Rest
- Solid Rear Wheel 24" & 8" Front Wheel
- Seat width 44cms & Overall 63cms.
- Plastic Commode seat.
- Reclining Back Rest & Elevating Foot Rest.



**INVALID WHEEL CHAIR**

Code : **TMS-638**

Description :

- Foldable Chromed Steel frame.
- Fixed Arm Rest & Foot Rest.
- Solid Rear Wheel 24" & 8" Front Wheel
- Seat Width 44cms & Overall 63cms.
- Plastic Commode Seat.



**Commode Chair Folding**

Code : **TMS-639**

Description :

- Steel Material Chrome Plated.
- Foldable.
- Plastic Seat with Cover .



## Stretchers

### AUTO LOADING STRECHER (118)

Code : **TMS-640**

Description :

- Technical Parameter:
- Product size (LxWxH) : 190x54x90cm
- Net weight: 40Kg
- The bearing pressure : < 159kg
- Dimension of the packing box :200x65x30cm
- Gross weight : 50kg

Automatic loading stretcher easy to load and unl from emergency vehicle without lifting . Legs can be funder cot automatically when rolling into vehicle. when rig into vehicle legs can br unfold and lock in operating position cot removing from vehicle, left-hand and right-hand control le unlock front..... and bak legs respectively for Knocking down when cot is to be loaded.



### WHEEL CHAIR CUM STRECTURE (117)

Code : **TMS-641**

Description :

- Product size (LxWxH) : 190x59x85 cm
- Net weight : 45 Kg
- The bearing pressure : < 159kg
- Dimension of the packing box : 190x59x85 cm
- Gross weight : 55Kg

Automatic wheelchair type stretcher is a necessary accessory on ambulances and could be folded as wheelchair in narrow stairs or elevators.

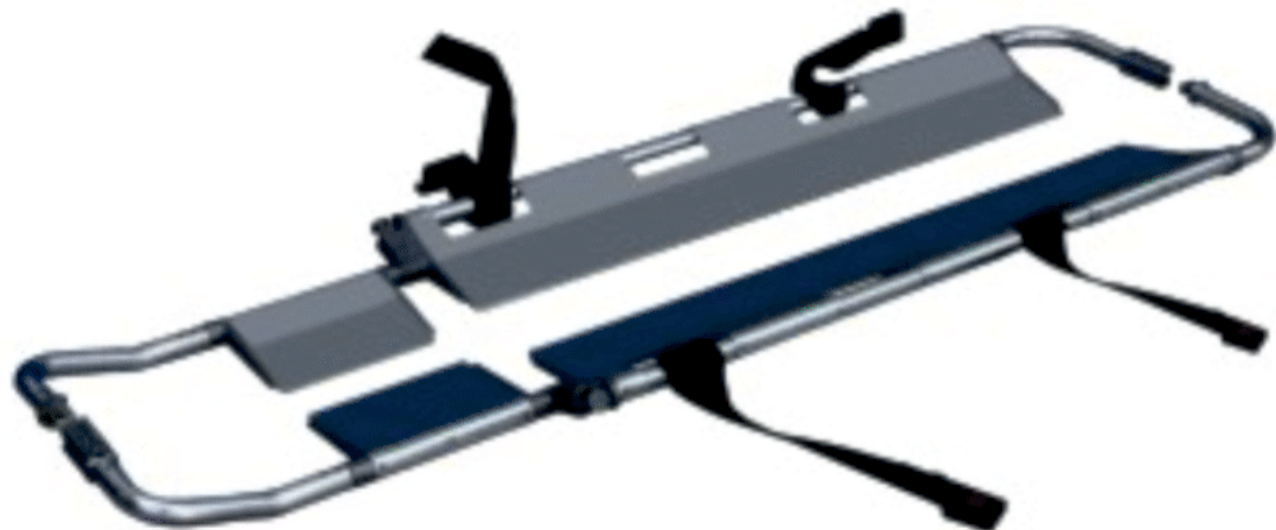


### SCOOP STRETCHER (122)

Code : **TMS-642**

Description :

- Product size (LxWxH) : 164x 43x8cm (min.)  
201x43x8cm(Max)
- Net weight : 9kg
- The bearing pressure : < 159kg
- Dimension of the packing box : 123x45x11cm
- Gross weight : 11kg



### STAIR STRETCHER

Code : **TMS-643**

Description :

- Unfolded Size : 70 x 52 x 19 cm (L xW x H)
- Folded Size : 90 x 54 x 17 cm (L xW x H)
- Self Weight : 8 Kg
- Load Weight : 159 Kg





## Stretchers

### SPINE BOARD STRETCHER

Code : **TMS-644**

Description :

- Size : 184 x 45 x 7 cm  
(L x W x H)
- Self Weight : 7.5 Kg
- Load Weight : 159 Kg



### HEAD IMMOBILIZE

Code : **TMS-645**

Description :

- Size : 42 x 26 x 18 cm (L x W x H)
- Self Weight : 1 Kg



### BASKET STRETCHER

Code : **TMS-646**

Description :

- Size : 219 x 64 x 18 cm (L x W x H)
- Self Weight : 16 Kg
- Load Weight : 272 Kg



### FOLDING STRETCHER SINGLE FOLD (125)

Code : **TMS-647**

Description :

- Product size : 210 x 53 cm.
- M.S. Tubular or Alluminum



### FOLDING STRETCHER DOUBLE FOLD (124)

Code : **TMS-648**

Description :

- Product size : 210 x 53 cm.
- M.S. Tubular or Alluminum



### FOLDING STRETCHER FOUR FOLD (123)

Code : **TMS-649**

Description :

- Product size (LxWxZ) : 210 x 60 x 11cm
- Net Weight : 6 Kg.
- Dimension of the packaging box : 62x58x25cm.(5pcs./Box)
- Gross Weight : 32 kg.





Hospital Holloware

**INSTRUMENT TRAY WITH COVER S.S.**

Code : **TMS-650**

Sizes :

- 9"x6"
- 11"x7"
- 10"x8"
- 12"x10"
- 15"x12"
- 18"x12"



**KIDNEY TRAY S.S.**

Code : **TMS-651**

Sizes :

- 6",8", 10"&12"



**DRESSING DRUM S.S. HEAVY JOINTED**

Code : **TMS-652**

Sizes :

- 9"x9"
- 11"x9"
- 10"x5"
- 15"x12"
- 11"x18"



**DRESSING DRUM S.S. SEAMLESS**

Code : **TMS-653**

Sizes :

- 9"x9"
- 11"x9"
- 10"x5"
- 15"x12"



**STERELIZER ELECTRIC S.S. AUTO CUT OFF**

Code : **TMS-654**

Sizes :

- 10" x 5" x 3"
- 12" x 6" x 4"
- 16" x 6" x 6"
- 18" x 8" x 6"



**INSTRUMENT TRAY WITH COVER S.S.**

Code : **TMS-655**

Sizes :

- 10" x 5" x 4"
- 12" x 6" x 4"
- 17" x 8" x 6"
- 20" x 8" x 6"



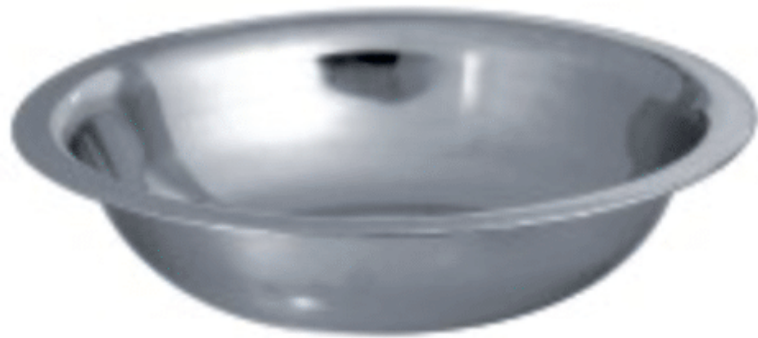


**SURGICAL WASH BASINS**

Code : **TMS-656**

Sizes :

- 35 CMS & 40 CMS



**BED PAN WITH COVER S.S.**

Code : **TMS-657**

- MALE
- FEMALE

Sizes :



**URINAL POT S.S.**

Code : **TMS-658**

- MALE
- FEMALE



**AUTOCLAVE ELECTRIC**

Code : **TMS-659**

Description :

- 12"x12 or 12"x 14"
- Cooker Type with Stand
- Made of Aluminum alloy



**AUTOCLAVE ELECTRIC VERTICAL**

Code : **TMS-660**

Description :

- 12"x20 "inner chamber
- Stainless Steel inner & outer



**HIGH PRESSURE STEAM STERILIZER (AUTOCLAVE)**

Code : **TMS-661**

Description :

- Made of Stainless Steel inner & outer
- Stainless Steel heavy duty Solid Lid.
- Complete with Pressure Gauge, Pressure Valve, Safety Valve.
- Water inlet at side. Water in . outer jacket.
- Size Inner Chamber 400x600mm & 300x500mm

**Optional:** AT Extra Cost.

- Pressure control switch.
- Low water cut off Device.
- Timer switch.





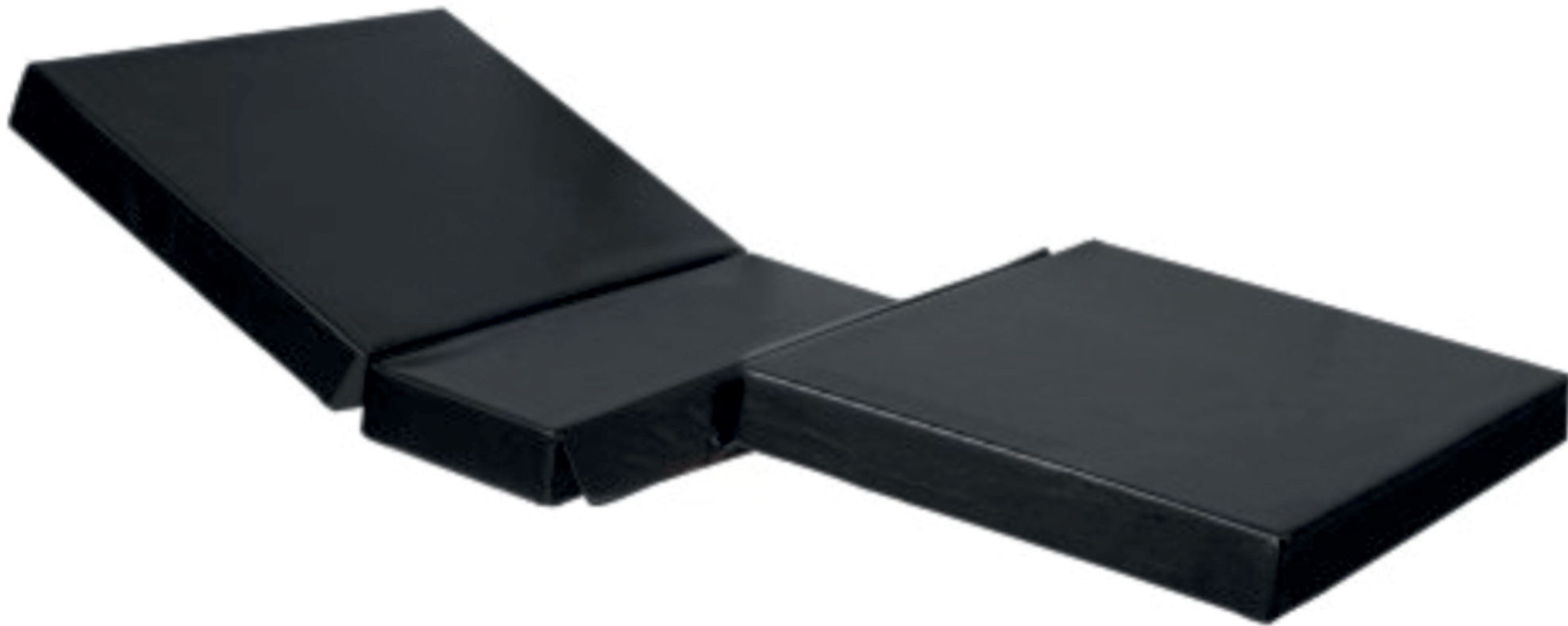
## Mattresses

### MATTRESS FOR BEDS

Code : **TMS-662**

Description :

- A polyurethane foam mattress of heavy density with one side rexine & other side cotton for ventilatin
- 75"x35"x4" for semi Fowler Beds(2 Parts)
- 78"x35"x4" for Fowler & Icu Beds(3 Parts)



### MATTRESS FOR PLAIN BED

Code : **TMS-663**

Description :

- made of polyurethane foam with rexine cover.
- 75"x35"x4"



### MATTRESS FOR O.T. & LABOUR TABLES

Code : **TMS-664**

Description :

- Sectional Mattress made of polyurethane foam with rexine cover 25mm thick





# TechnoCARE

M E D I C A L S Y S T E M S L L P



★ ICU Bed

★ Wheel Chair

★ Scoop

★ Stretcher

Importer & Marketing India by:-

**TECHNOCARE MEDICAL SYSTEMS LLP**

Office: UG-73, Plot No.30, Vardhman Plaza, Block UG, Near M2K, Rani Bagh,  
N.D:-34

Factory: WZ-50 & 51, Sri Nagar, Near Railways Underpass, N.D:-110034

Phone Number: +91-9810839390, 9999555136

Email: [technocaremedicalsistemas@gmail.com](mailto:technocaremedicalsistemas@gmail.com), [info@technocaremedicalsistemas.com](mailto:info@technocaremedicalsistemas.com)

Website: [www.technocaremedicalsistemas.com](http://www.technocaremedicalsistemas.com)

